

Instructions - Leak Diverter Installation

Steps to ensure your leak diverter is properly installed

Note that the straps and hose are sold separately

Do not attach a hose until the leak diverter is installed.

Step 1: Determine which structure you should hang the Leak Diverter from in the leaking area.

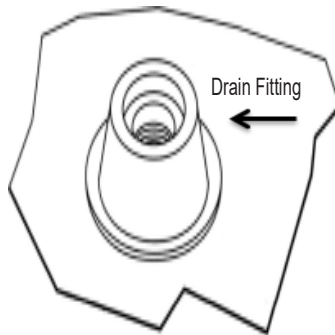
Step 2: Use grommets at the four corners of the Leak Diverter to hang the unit. (*Straps sold separately*)

Step 3: Make sure the unit is as level as possible to create proper drainage.

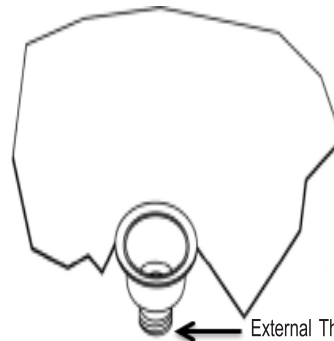
Step 4: See instructions below on how to attach the hose assembly



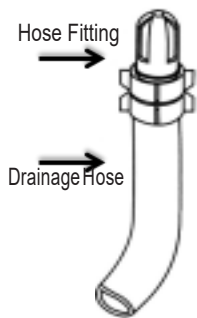
ATTACH THE HOSE ASSEMBLY:



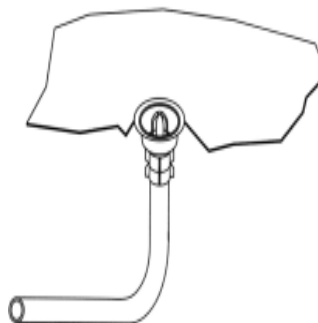
Step 1: Find the clear drain fitting located in the center of the unit. (It is likely that it will be in an inverted position)



Step 2: From the underside of the unit, insert a finger into the center of the fitting. Pull outward on the inside of the fitting until you see the external threads.



Step 3: Attach a 3/4" drainage hose to the hose fitting (drainage hose is sold separately)



Step 4: Attach the hose assembly (hose fitting + 3/4" drainage hose) to the external threads on the drain fitting